



Used Extensively in the  
GMP Pharmaceutical  
and Biotech Industries!

# Sample and Vent Valves

**Designed for: Transfer Panels,  
Vent, Drain or Sampling**

SafeSamp™ Valves are manufactured with operators in mind. Large, ergonomic handles and visual indication of valve open/close are two of the standard features engineered into the design of this dependable, versatile, and useful valve.

## Standard Features and Benefits:

- Blue Ultem® Handwheel w/Red Visual Indicator
- Designed for CIP, SIP and Autoclaving
- Safety Lock Pin
- 316L SS Polished to 20Ra (SFV1)
- USP Class VI Certified Materials

## Options:

- 15Ra EP Surface Finish (SFV4)
- Tri-Clamp Outlet Connection
- T-Valve and Custom Designs Available
- PEEK® Handwheel w/Yellow Visual Indicator
- Multiple colors for process line identification



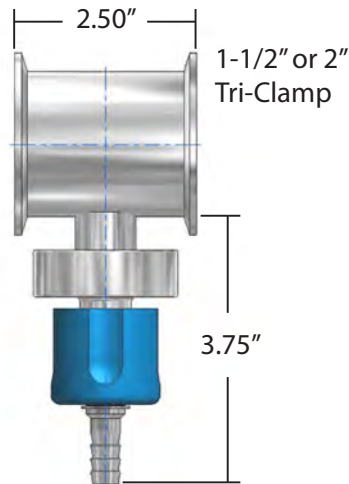
Visit us at [www.sentinelprocess.com](http://www.sentinelprocess.com)  
or Call 800.345.FLOW Today!

Contact Sentinel Process Systems, Inc. to help with all your Process Component, Instrumentation, and Critical Utility needs.

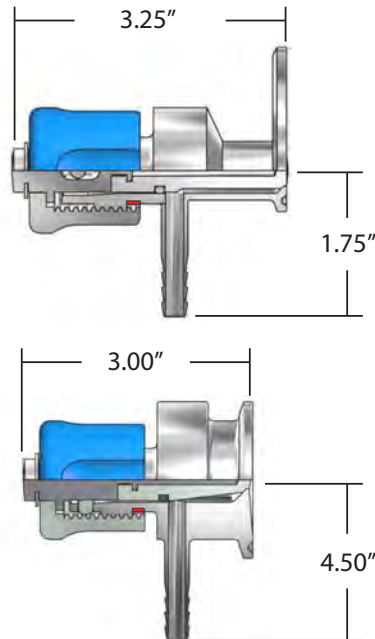
# Sample & Vent Valves

## Sizes: 1/2" to 6"

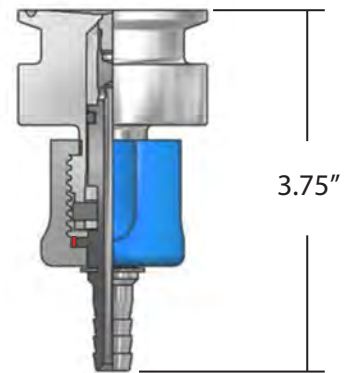
Tri Clamp Tee  
Hose Barb Outlet  
Spool Piece Valve



Angled Outlet  
Concentric and Eccentric Outlets  
Sanitary Clamp Inlet



In-Line  
Concentric Outlets  
Sanitary Clamp Inlet



### PART NUMBER CONFIGURATION

Model	Type		Material								Connection						Surface Finish					
			Body		Seat	Seal		Handwheel**		Port			Clamp		ZDL Tube							
SSV	AC	Angle: Concentric	6L*	316L	T*	PTFE	E*	EPDM	UE*	Ultem (Blue)	B025	1/4"	Hose Barb	C050	1/2"	MC	T150-250	1.5" OD x 2.5" OAL	TC E/E	PL	20Ra (SFV1)*	
	AE	Angle: Eccentric	HC	C276			V	Viton	UK	Ultem (Black)	B038	3/8"	Hose Barb	C075	3/4"	MC	T200-250	2" OD x 2.5" OAL	TC E/E	PM	15Ra EP (SFV4)	
	IC	In-Line: Concentric							P	Peek	B050	1/2"	Hose Barb	C100	1"	TC						
	IE	In-Line: Eccentric									C025	1/4"	Mini-TC	C150	1 1/2"	TC						
	ZDL	In-Line: ZDL Tube									C050	1/2"	Mini-TC	C200	2"	TC						
														C250	2 1/2"	TC						
														C300	3"	TC						
														C400	4"	TC						
														C600	6"	TC						

**Note:**  
\* Items are standard components  
\*\* Handwheels  
- Ultem®: Standard Blue w/ Red Open Indicator (other colors available)  
- Peek®: Tan w/ Yellow Open Indicator

**Example:**  
Angle, Eccentric, 1 1/2in TC Inlet and 1/4 HB,  
15Ra EP Finish  
P/N = SSV-AE-6LTVU-C150-B025-PM